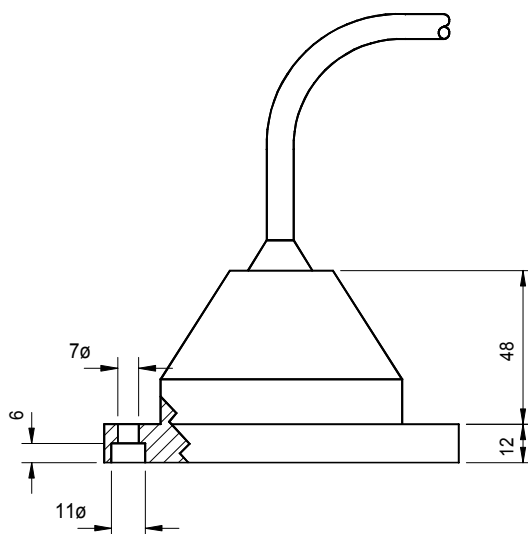
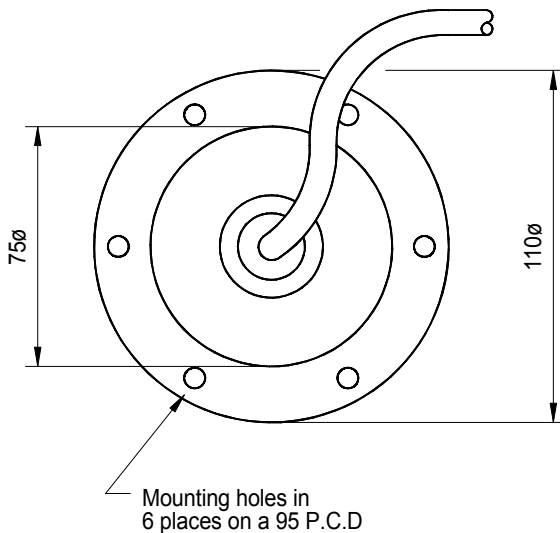


MODEL 390 SERIES

Single Beam Transducers

- ATLAS SW 6014 EQUIVALENT
- 5 FREQUENCY OPTIONS
- FISHING : NAVIGATION : SURVEYING
- HULL OR OVER-SIDE MOUNTING
- NEPTCAST® PU MOULDED HOUSING

Available in a choice of five different frequencies, the 390 series transducer is intended for vertical depth sounding applications.



All dimensions in mm

The frequencies selected for the 390 series are compatible with a wide range of echo-sounder types, in particular the 210 kHz version is an exact equivalent for the Atlas SW 6014.

The 390 series of transducers are constructed using the NEPTCAST® moulding system.

Developed by Neptune this single shot casting technique achieves a transducer that is robust, lightweight and corrosion at a competitive price.

This product is stocked by our world-wide distributor

GSE Rentals Ltd, Aberdeen

Tel: +44 (0) 1224 771247

Fax: +44 (0) 1224 723116

E Mail: info@gserentals.co.uk

Frequency Options
160 kHz
200 kHz
210 kHz
300 kHz
600 kHz
Compatible with most popular Sounder Types

Technical Specification						
Frequency	160 kHz	200 kHz	210 kHz	300 kHz	600 kHz	kHz
Beam Angle @ -3dB	12	8	7.5	7	5	Degrees
Source Level	175	175	174	172	174	dB re uPa/V @ 1m
Receive Sensitivity	-187	-186	-187	-174	-204	dB re V/uPa
Input Power	300	300	300	300	300	Watts
Bandwidth	14	20	28	28	57	kHz
Nominal Impedance	70	70	100	75	75	Ohms
Transducer impedance can be adjusted to suit customers specification						
Cable Length	10 Metres Standard (Additional lengths supplied to order)					
Cable Type	Polyurethane Ø9mm 2 Core Screened					
Storage Temperature	-40 to +80 °C					
Operating Temperature	-5 to +70 °C					
Ordering Information						
390, <i>frequency, cable length</i>						